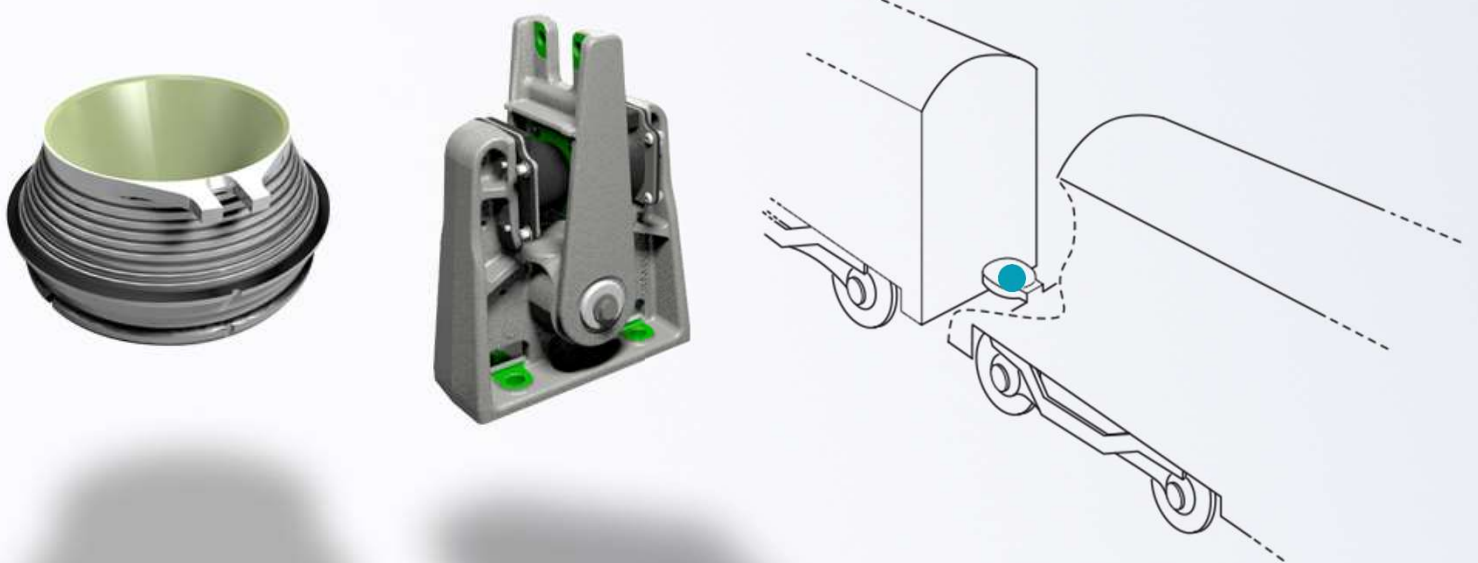


COACH CONNECTIONS LIAISONS INTER-CAISSE

Special Suspension Components



- » Flexible links and knuckles are used to link car bodies in all kind of railway material (urban, high-speed, ...).
- » Optimal solutions from high-speed trains to trams.
- » High operational safety and maintenance-freedom.

- » *Les attaches flexibles et les rotules inter-caisses assurent la liaison entre les voitures sur tous types de matériels (tramway, TGV ...).*

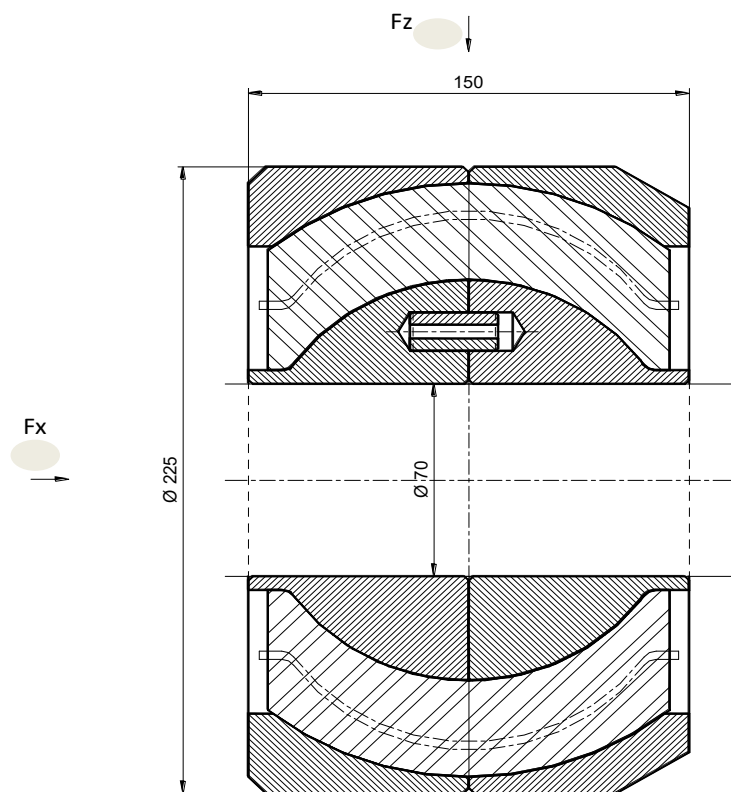


Fig. A
M1246

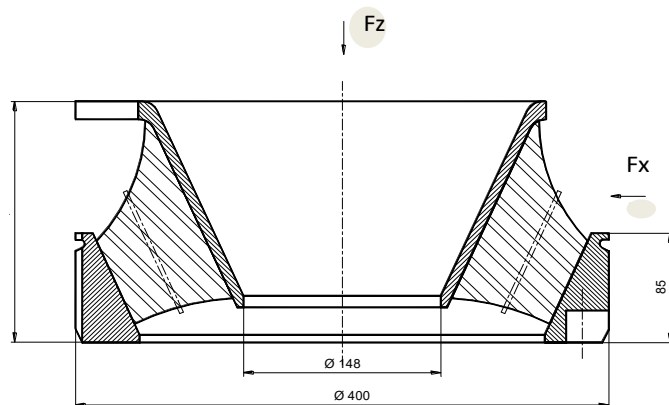


Fig. B
M6192

Reference	fig	Fz	Kz	Fx	Kx
		daN	daN/mm	daN	daN/mm
M1246	A	15000	8950	10000	4440
M6192	B	15000	3000	12800	6000